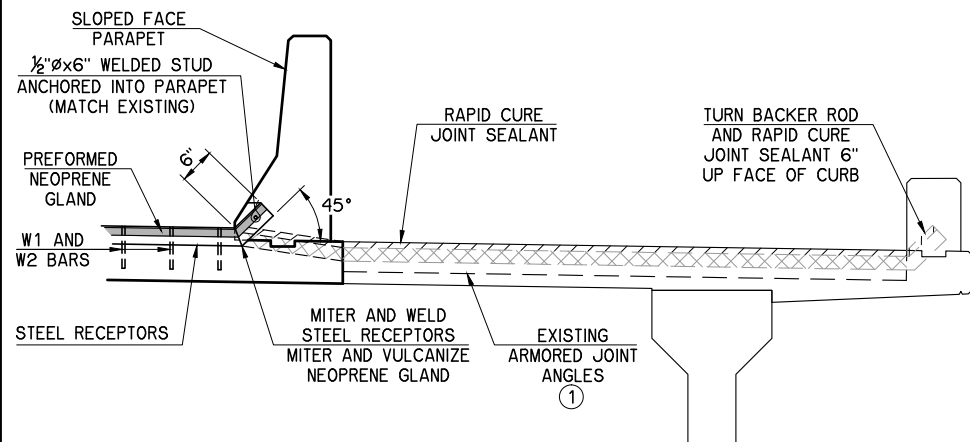


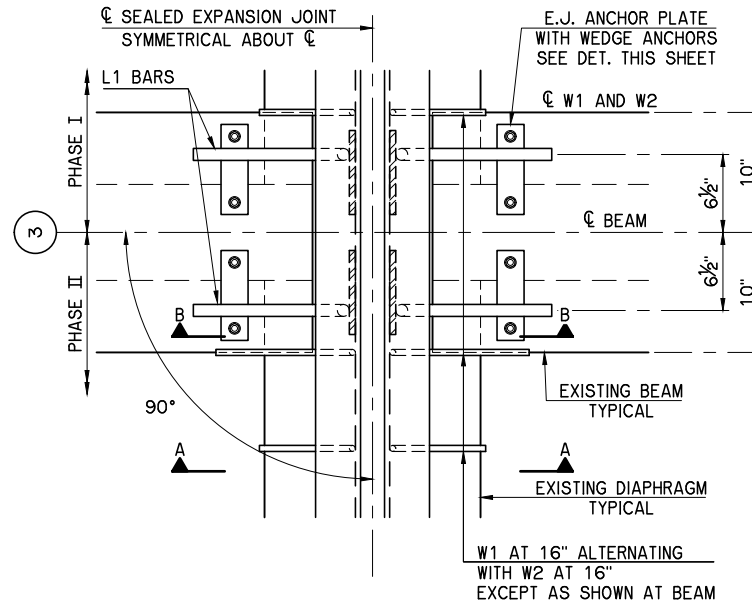
REVISIONS		
REV. NO.	DESCRIPTION	DATE



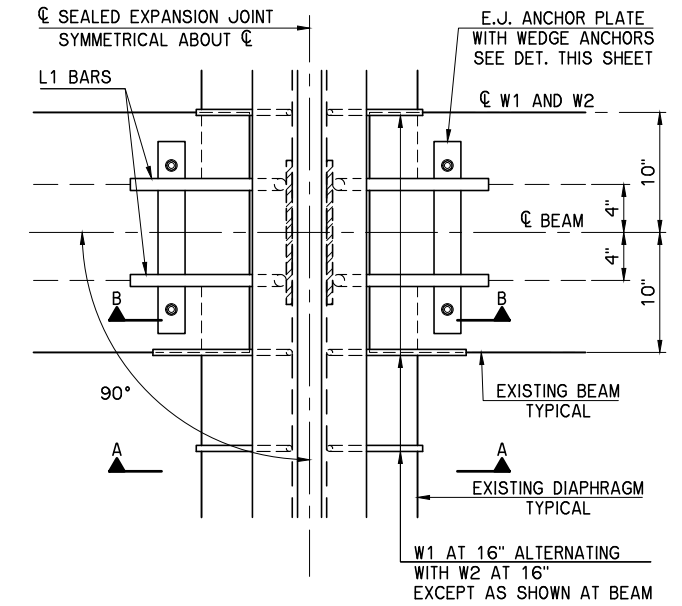
EXPANSION JOINT SECTION AT PARAPET AND SIDEWALK

① CLEAN EXISTING ARMORED JOINT ANGLES BEFORE INSTALLING RAPID CURE JOINT SEALER DOW CORNING 6888 OR SIMILAR. IN ACCORDANCE WITH SECTION 701.08.6 OF THE SPECIFICATIONS. INCLUDE ALL COST ASSOCIATED WITH THE REPAIR OF THE SIDEWALK ARMORED JOINTS AS WELL AS ALL MATERIALS, LABOR AND EQUIPMENT IN THE PRICE BID PER LINEAR FOOT OF "RAPID CURE JOINT SEALANT".

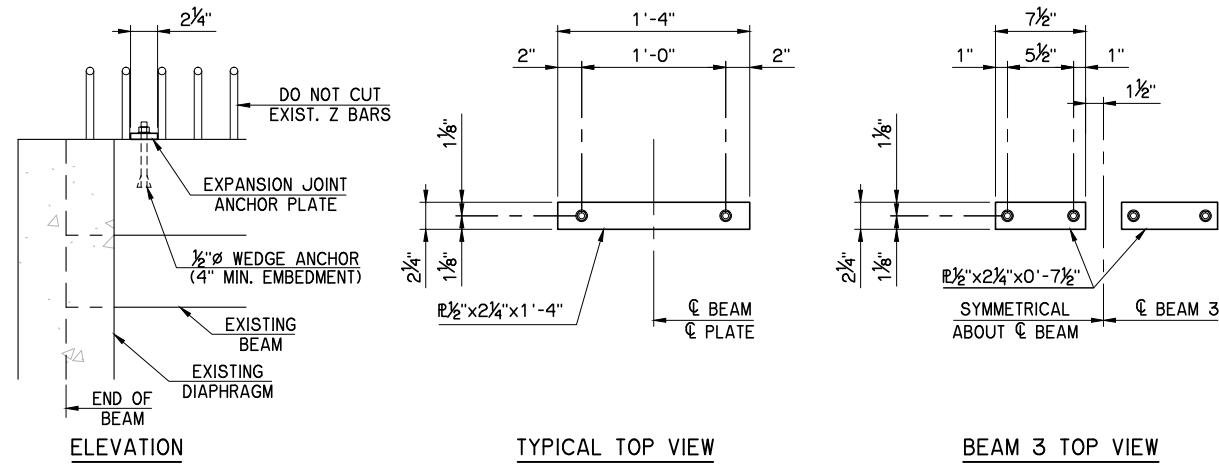
EXPANSION JOINT SETTING SCHEDULE			
EXPANSION JOINT OPENING	TEMPERATURE F°		EXPANSION JOINT OPENING
	PIER NO. 1 - 23	PIER NO. 24	
2 1/2"	0°	2 1/4"	0°
2 3/8"	11°	2 1/8"	22°
2 1/2"	22°	2"	43°
2 1/8"	32°	1 7/8"	64°
2"	43°	1 3/4"	86°
1 7/8"	54°	1 5/8"	107°
1 3/4"	64°		
1 5/8"	75°		
1 1/2"	86°		
1 3/8"	96°		
1 1/4"	107°		
1 1/8"	118°		



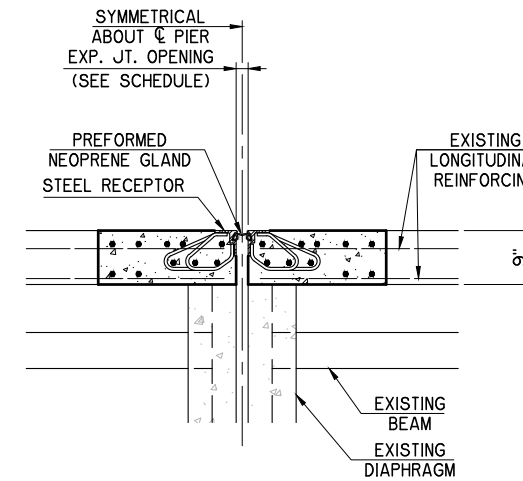
EXPANSION JOINT PLAN BEAM 3



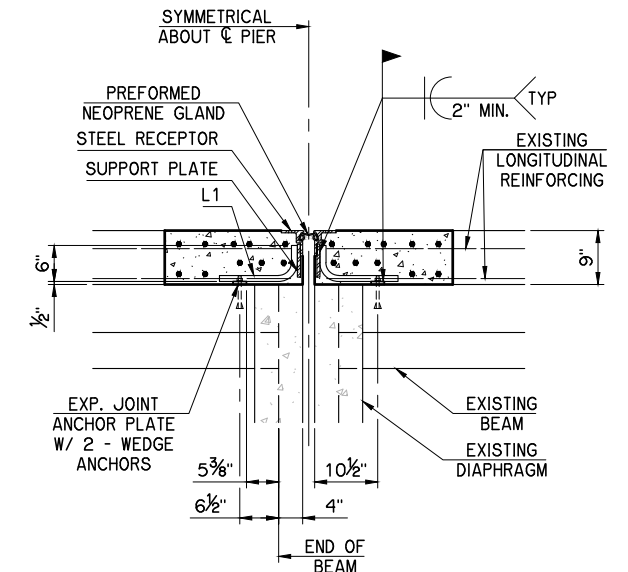
EXPANSION JOINT PLAN



EXPANSION JOINT ANCHOR PLATE DETAILS

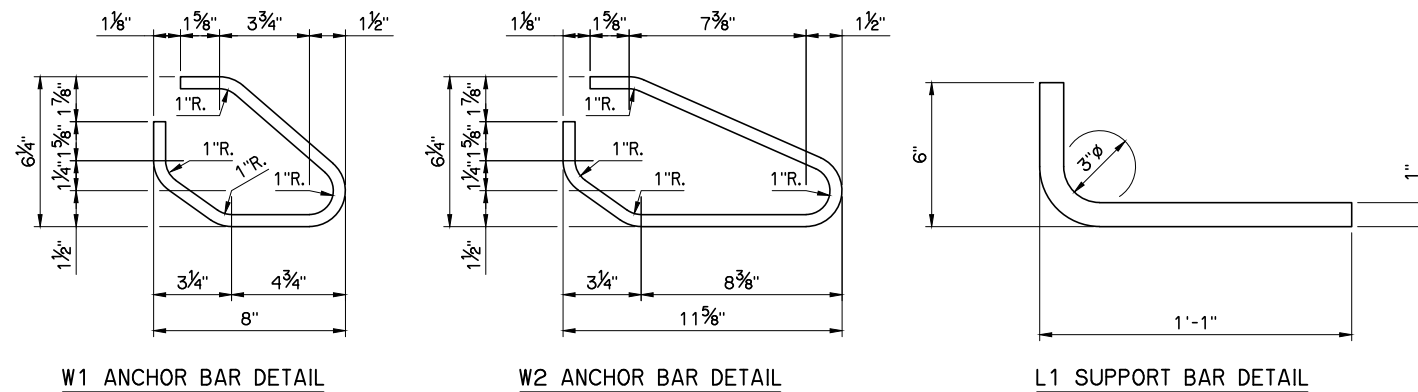


SECTION A-A



SECTION B-B

NOTE:
FOR ADDITIONAL EXPANSION JOINT DETAIL, SEE STD. EJ-SQ AND STD. EJ-DTL.



W1 ANCHOR BAR DETAIL

W2 ANCHOR BAR DETAIL

L1 SUPPORT BAR DETAIL

SH 51 NB OVER ARKANSAS RIVER	TULSA COUNTY	Design	ADT
EXPANSION JOINT DETAILS		Detail	FEZ
		Check	ADT
		WHITE ENGINEERING ASSOCIATES	
STATE OF OKLAHOMA	DEPARTMENT OF TRANSPORTATION	JOB PIECE NO. 31358(04)	SHEET NO. 28